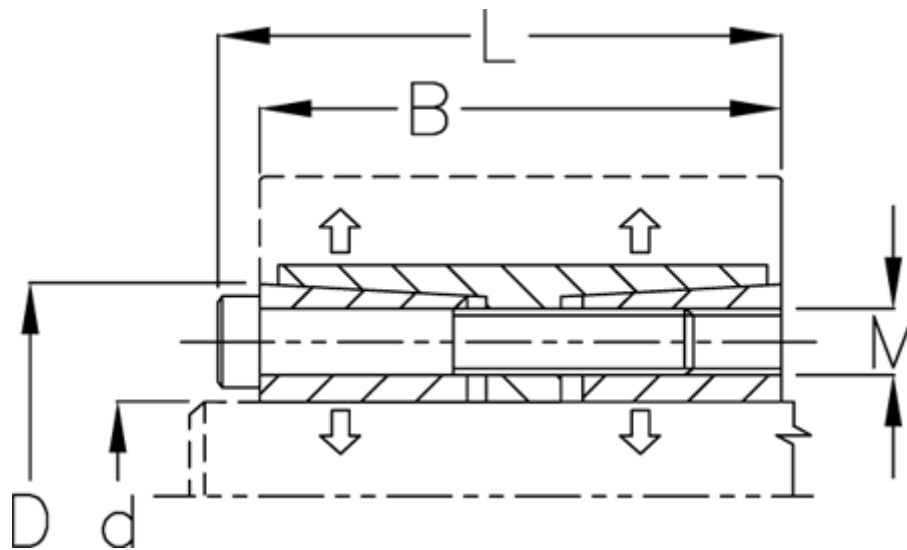


Article number: 439700480

Description: Rota-fix shaft-hub connection FL480x615

Note: Self centering - very high torque

Measures



B mm	= 280
d H8 mm	= 480
D mm	= 615
Fit tolerance	= Aksel h8, Nav H8
F kN torque	= 7583.0
L mm	= 307
M mm	= M27
P N/mm ² surface pressure on shaft/hub	= 138

Surface roughness	= R? ? 3.2 μ m
T N m torque	= 999999
Ts N m bolt tightening torque	= 1750.0